



Installation instructions for PZ4AL-01871-00

Under Run Protective Shield engine bay

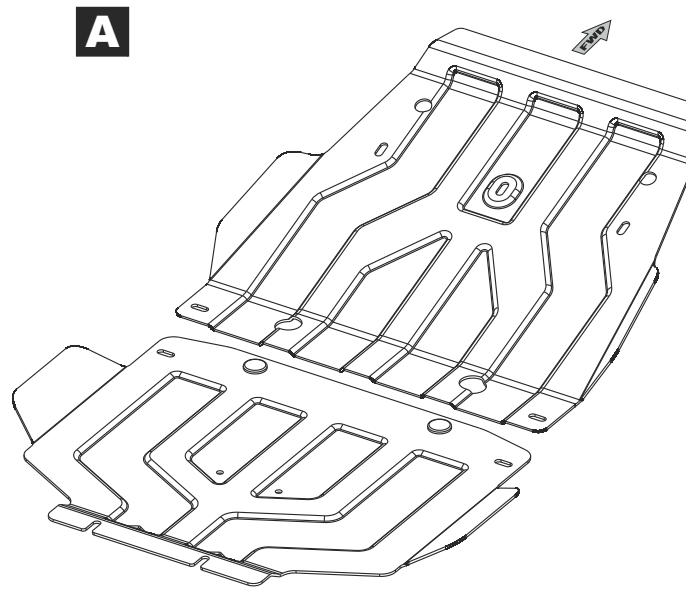
LEXUS LX 570

Toyota Land Cruiser 200



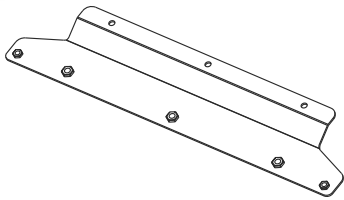
Model Year	LX 570 - 2010; LX 570 MC - 2011	LC200 - 2007	LC200MC - 2012
Vehicle Code	URJ201L-GNTGKW	UZJ200L-GNAEKW VDJ200L-GNTEZW	URJ202L-GNTEKW VDJ200L-GNTEZW
Part Number	PZ4AL-01871-00	PZ4AL-01871-00	PZ4AL-01871-00
 Weight	11.0Kg	11.0Kg	11.0Kg
 Installation Time	30min	30min	30min
Manual reference number	AIM 002 - 065	AIM 002 - 065	AIM 002 - 065

Part number: PZ4AL-01871-00



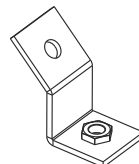
PZ4AL-01871-60

B



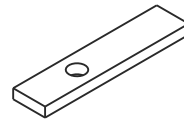
X1

C



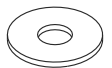
X2

D



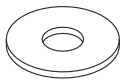
X2

E1



X2 Ø8

E2



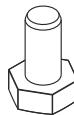
X9 Ø10

F1



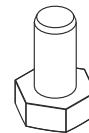
2x M 8x20

F2



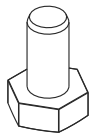
5x M 10x20

F3

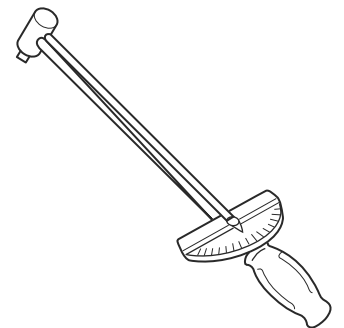
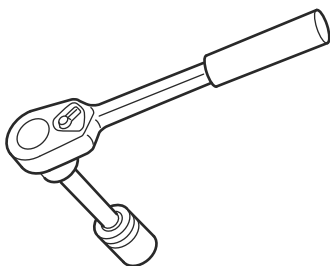


2x M 10x30

F4



2x M10x1,25x30



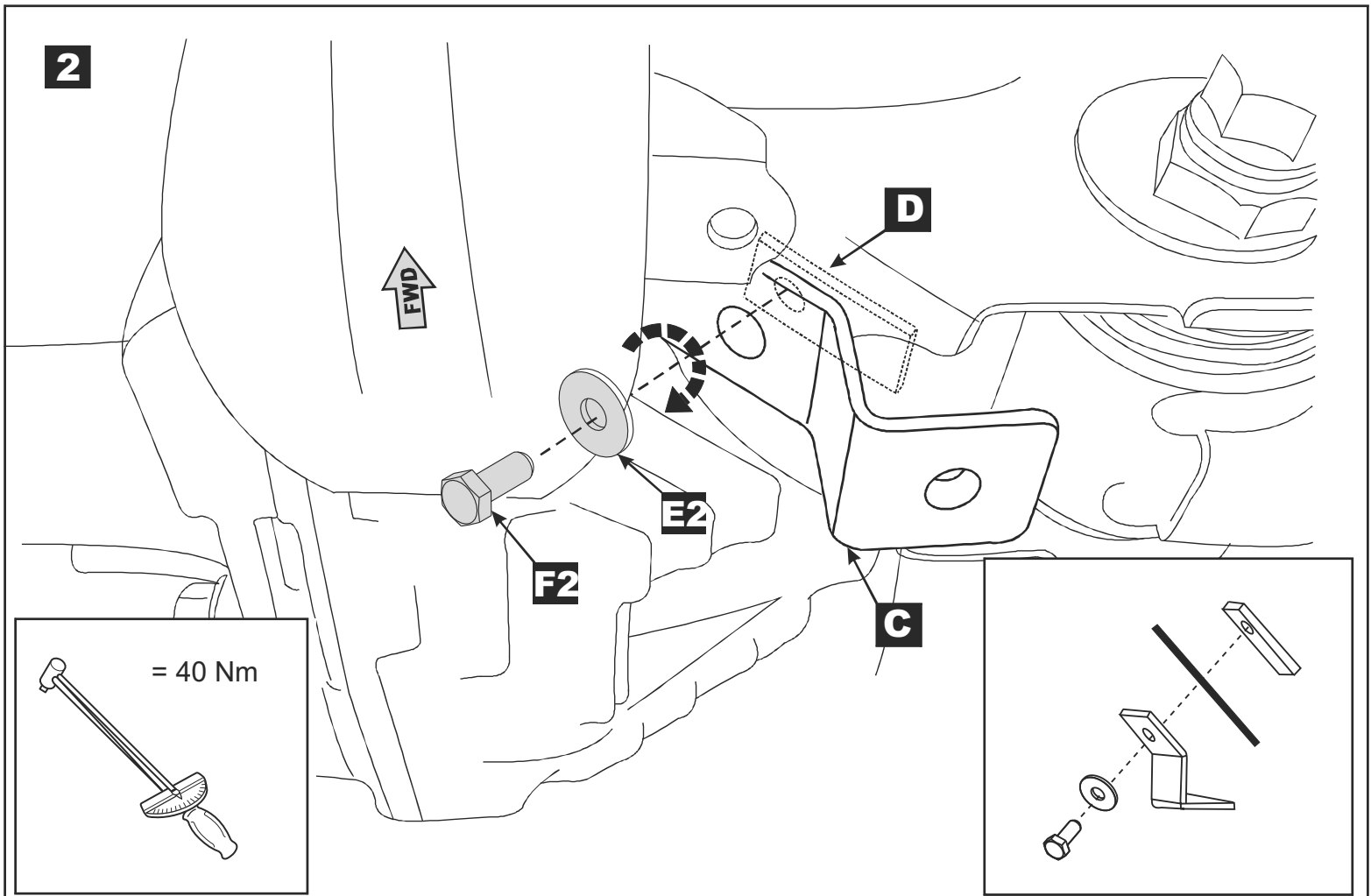
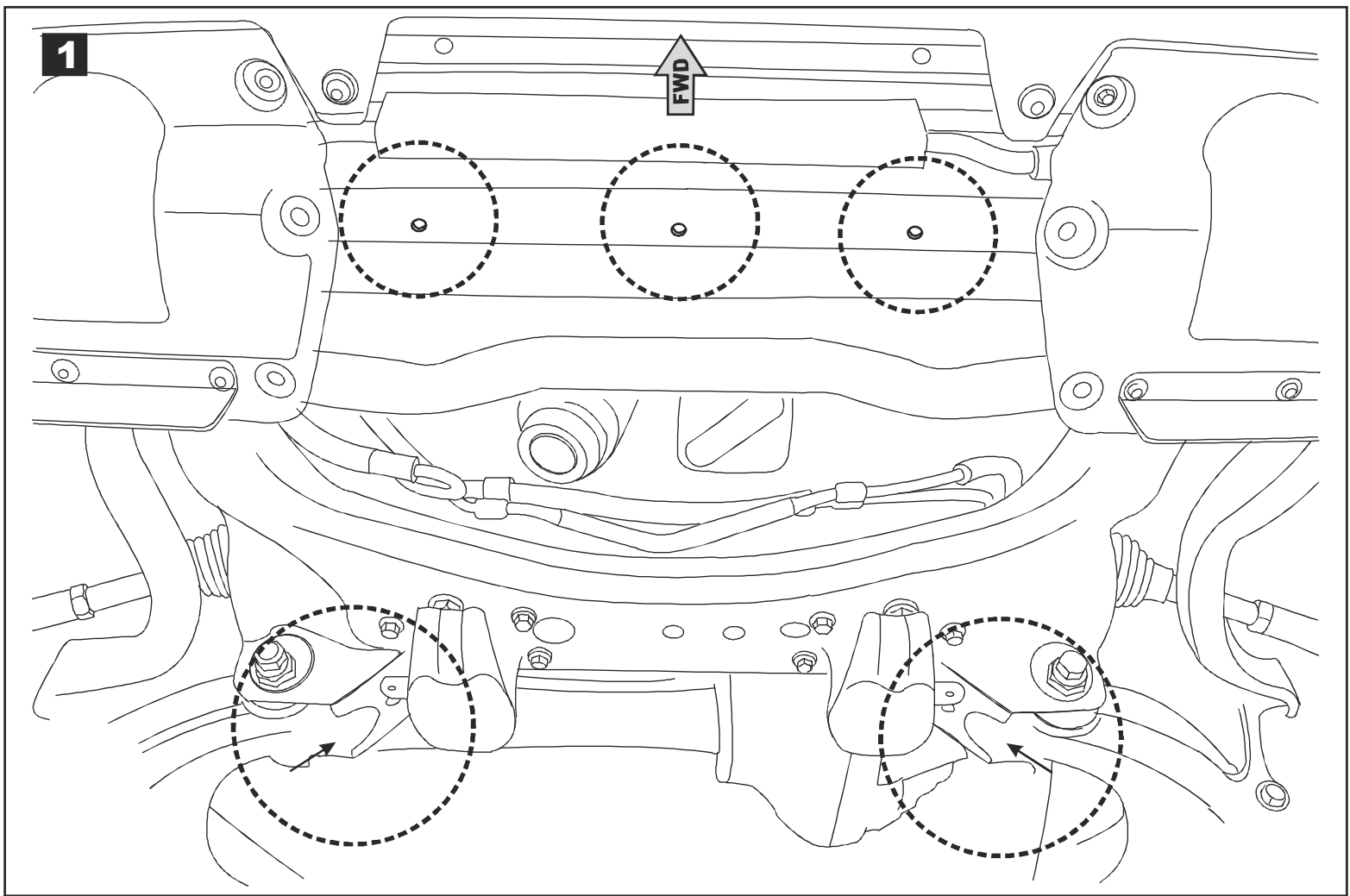
Part number:
PZ4AL-01871-00

Issue:
0

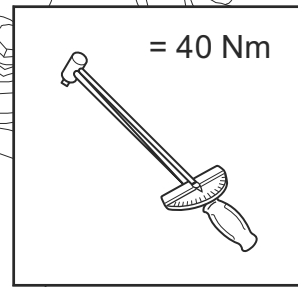
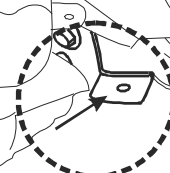
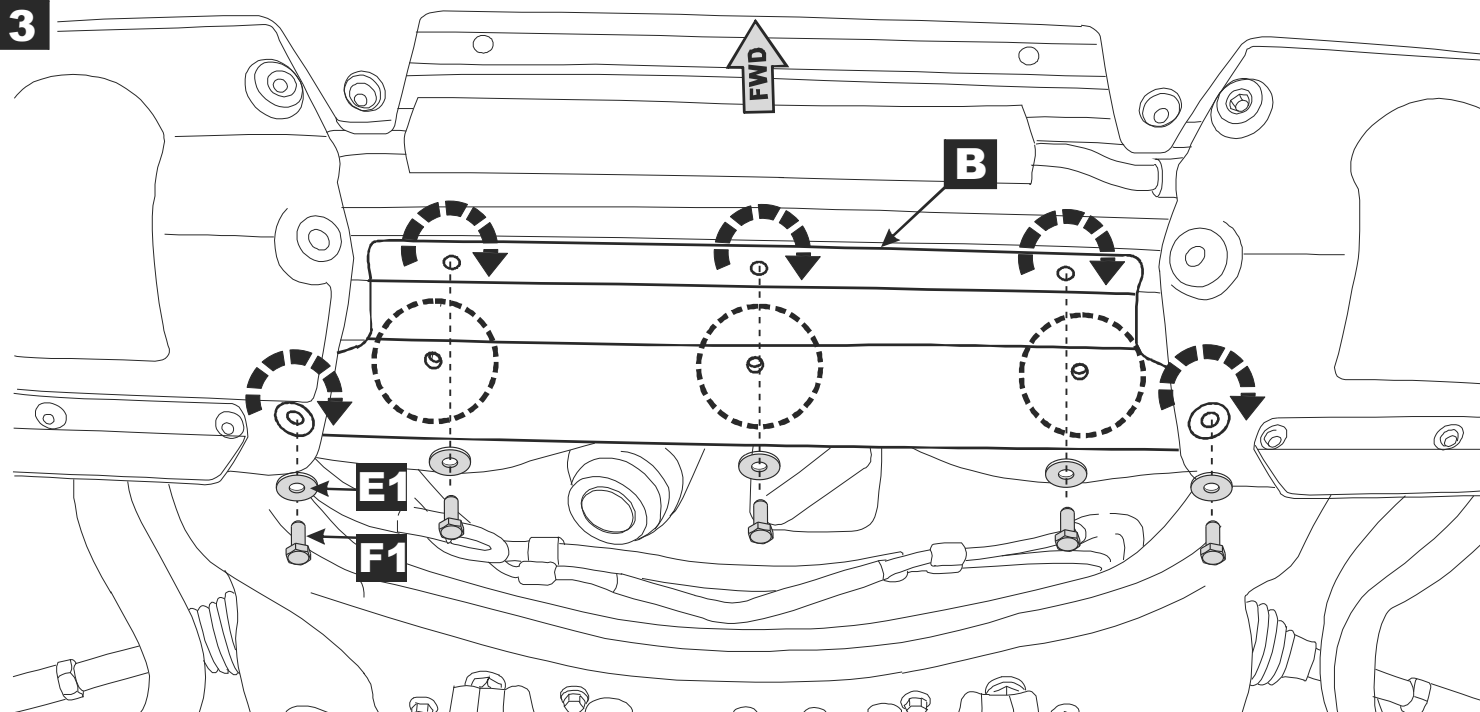
Date:
20/08/10

Manual reference number:
AIM 002 - 065

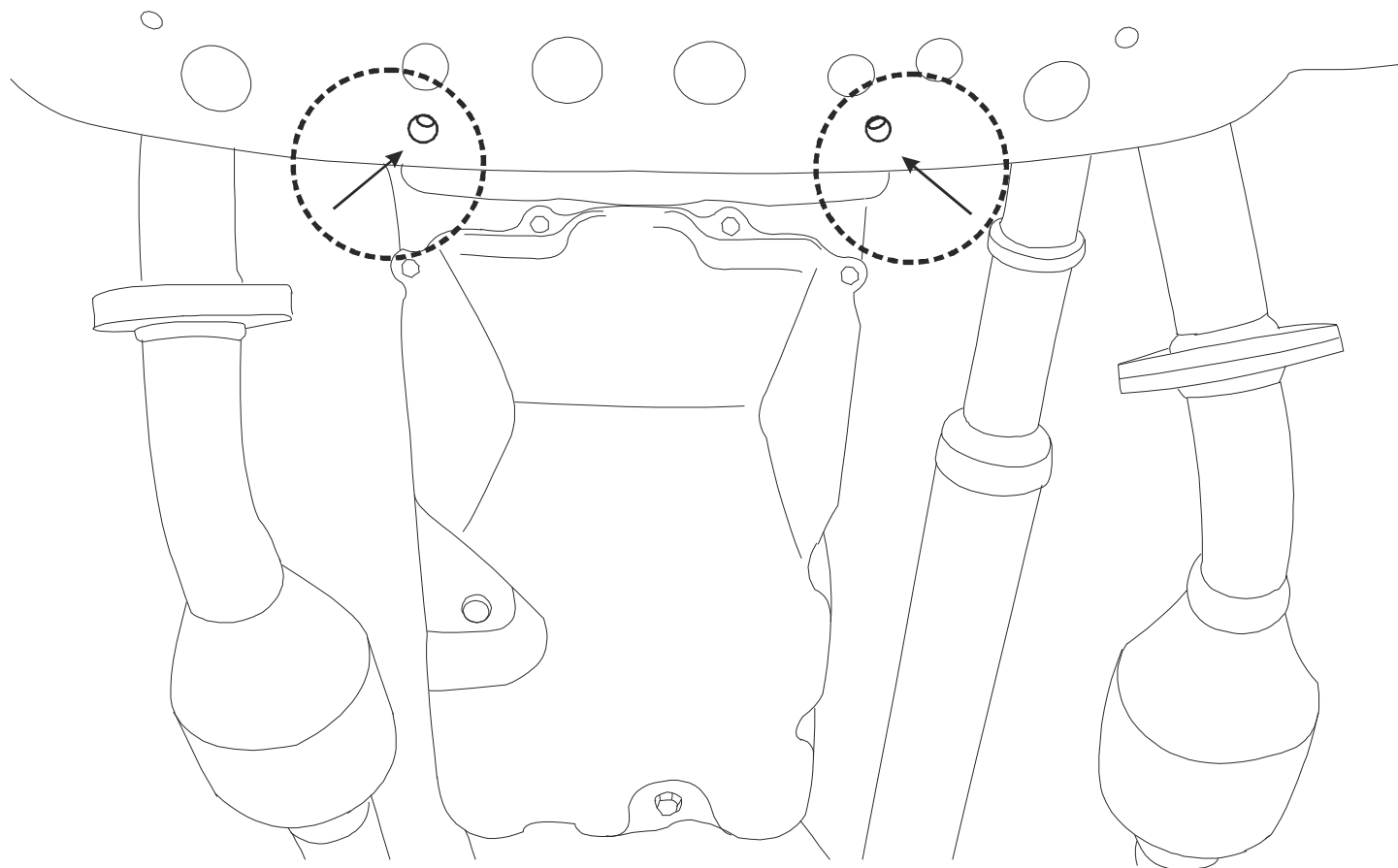
Page:
2/5



3



4



5

